

Manufacturer: Plastic Technologies Ltd.
Address: 8A Babushkina St, Minsk, 220024, Belarus
Site: ptl.world, E-mail: info@ptl.world
Phone: +375 29 681 88 99, +375 17 258 08 08



PTL PIPE CLAMPS



PTL Plastic Multi-level Pipe Clamps

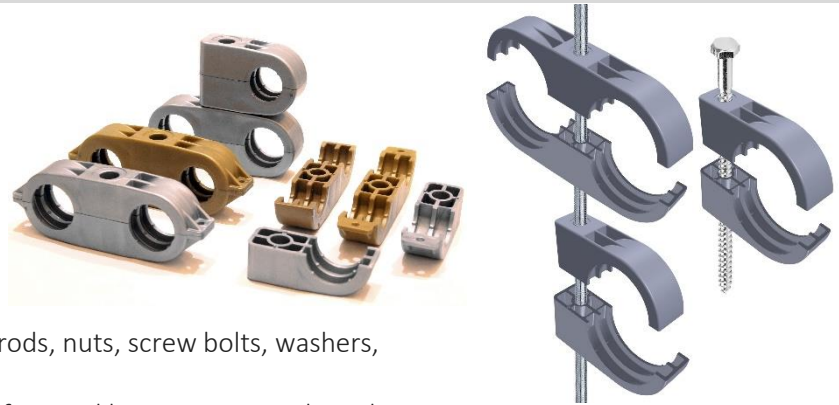


Plastic Pipe Clip Clamp Fastener PTL Beaver



PTL Plastic Multi-level Pipe Clamps

PTL Plastic Pipe Clamps can be used instead of traditional metal brackets, steel pipe hangers, various tube supports for installation of plastic or metal pipes and hoses on threaded rods or (and) screws. PTL Plastic Clamps can be installed closely or at the required distance from a wall (ceiling), metal frame and other supporting structures using appropriate fasteners (hardware) as threaded rods, nuts, screw bolts, washers, anchors/plugs, etc.



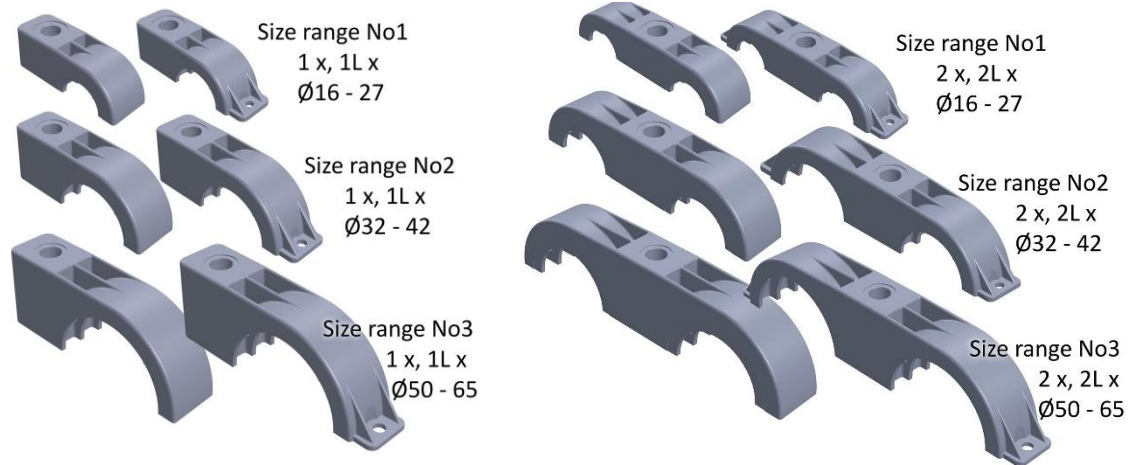
PTL Plastic Pipe Clamps are designed and manufactured by our company based on Technical Requirements BY 101375508.003-2018 from primary plastic materials, taking into consideration a variety of rules and regulations in the construction industry.



The new **Pipe Clamps** have fully preserved the functionality of metal analogues, and added some new advantages:

1. Tensile strength exceeds of the majority of metal clamps. A typical pipe holding force is at least 300 kg (500 kg with optional fixing lugs);
2. The possibility to mount a pair of pipes per one PTL clamp;
3. Multi-level installation: stacking PTL Clamps closely or sparsely (for example, to use thick insulation) on just one threaded rod (M6, M8, M10, M12);
4. Pipeline vibrations absorption;
5. Free sliding of the pipe through the support point to prevent pipe deformation (bending, sagging) due to the longitudinal thermal expansion of the pipe;
6. The pipe slope set at ones for the pilot pipe will applied automatically for other pipes in the pipeline group (see: [demonstration of pipe installation with photos](#));
7. Essentially faster installation and adjustment;
8. Simple removing or adding additional pipes to the pipeline;
9. Ease of maintenance, repairing and pipe replacement in the pipeline;
10. No corrosion;
11. Ergonomic appearance, different colors available: white, gray, black, red, blue, green, orange, red, silver, gold, etc. due to pipe/pipe insulation/interior colors.
12. Lower price in compare to metal clamps.

Specification

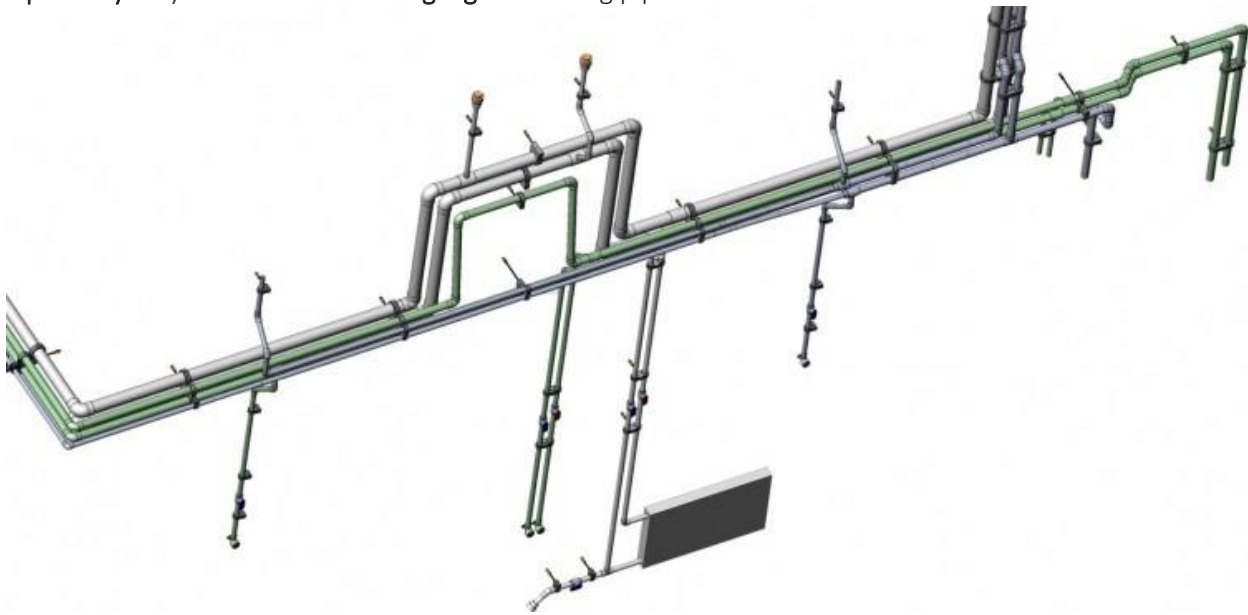


Plastic Multi-level Pipe Clamps PTL are available in **single-pipe and double-pipe** versions.

Supported [pipes](#) with a **diameter, mm**:

- 16, 18, 20, 22, 25, 27 (size range No. 1);
- 32, 34, 40, 42 (size range No. 2);
- 50, 52, 63, 65 (size range No. 3).

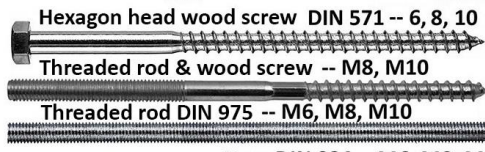
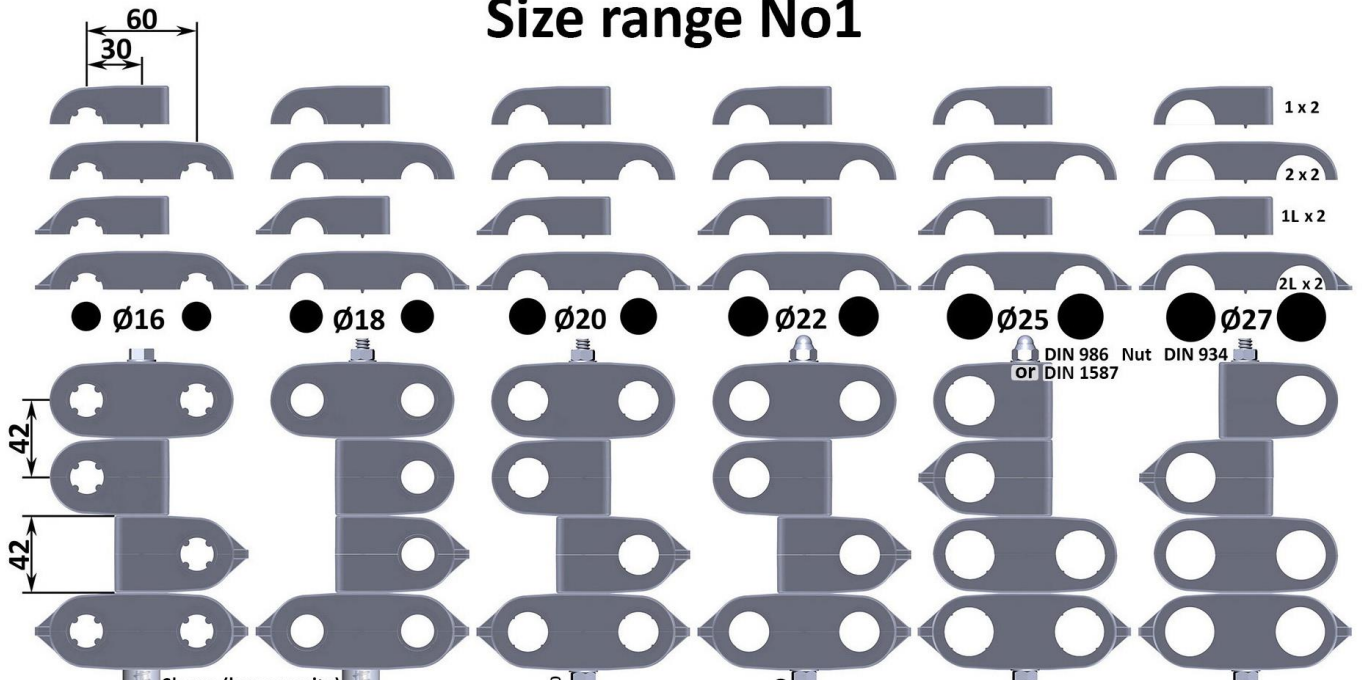
Optionally may have **additional fixing lug** for heating pipes.



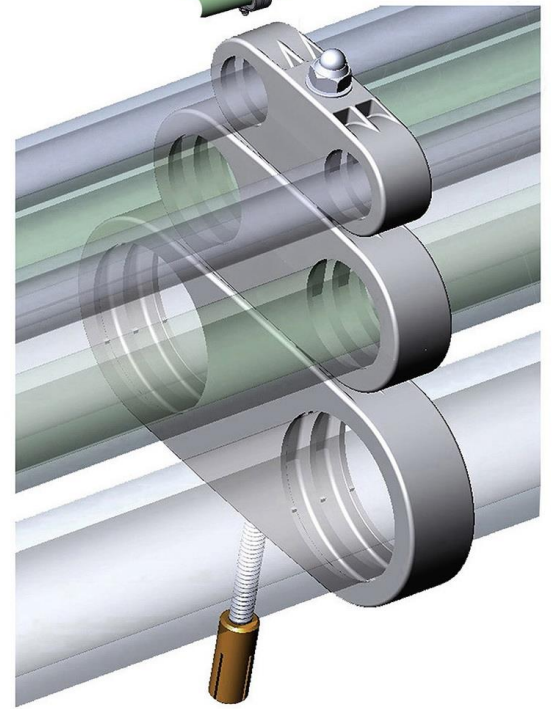
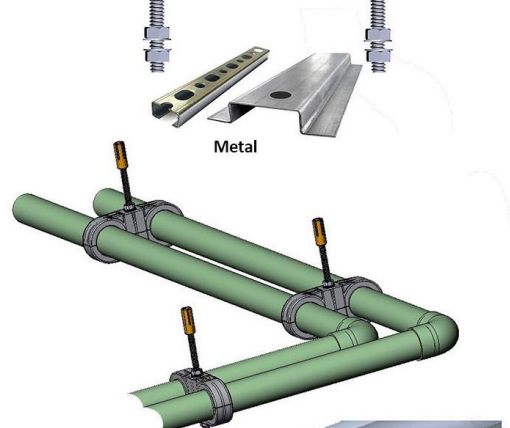
Suitable for the installation of the following types of pipes and hoses:

- polypropylene pipes (PP-R, PP-RCT), for hot and cold water
- polyethylene pipes for cold water (PE80, PE100, HDPE, MDPE, PE-HD, PE-MD)
- PE-RT polyethylene pipes for hot water
- polypropylene stable pipes for heating (wrapped with aluminum foil Ø+2 mm)
- metal pipes for hot and cold water, heating
- polypropylene sewer pipes
- steel pipes
- PE-RT, PEX, PEX + EVOH pipes for floor heating
- copper plumbing pipes
- hoses
- hoses with spiral winding PVC, PU
- PP, PVC, PA corrugated pipes
- metal corrugated hose (wiring shell)

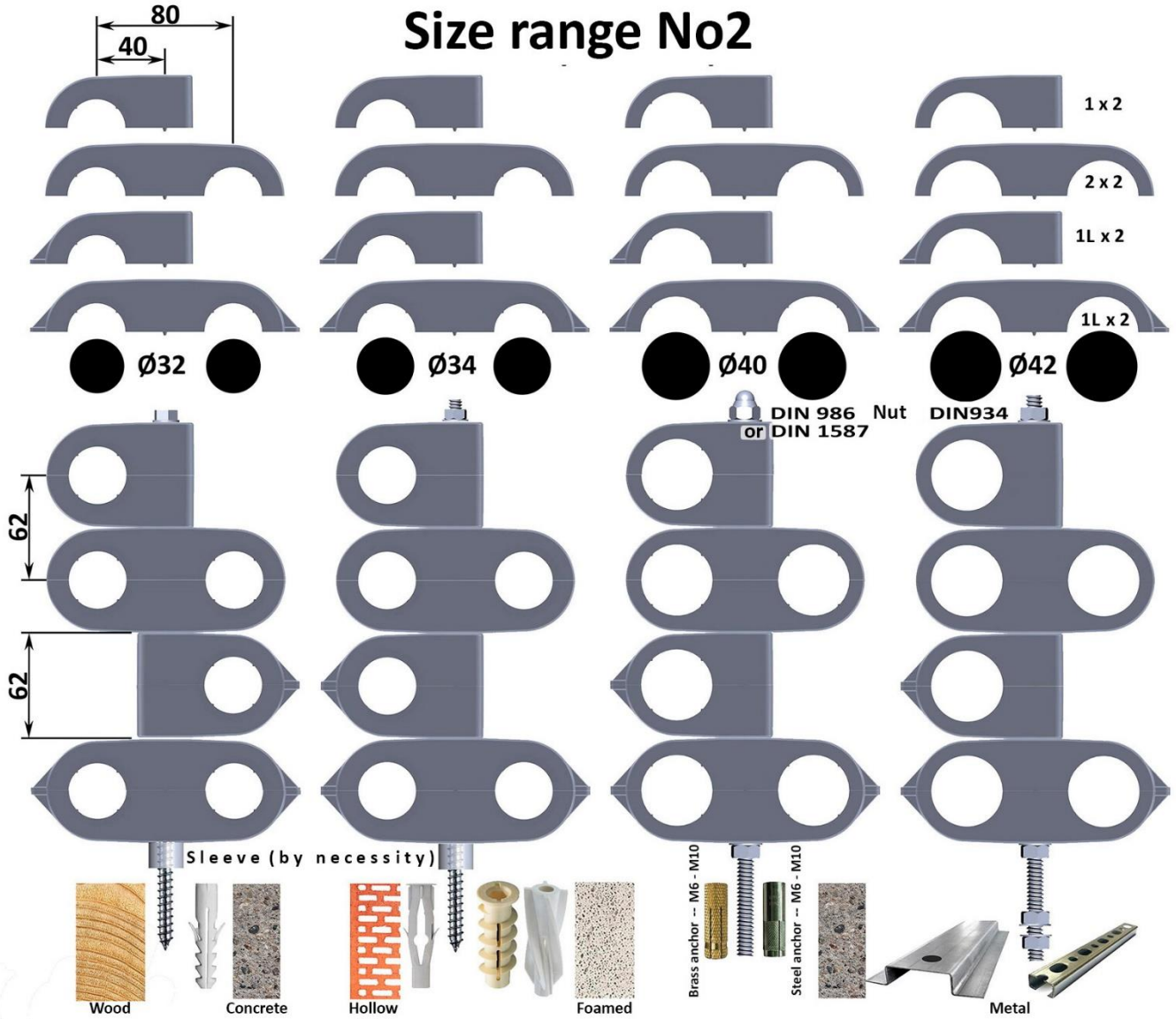
Size range No1



Option with additional fixing lug (M4) for heating pipes

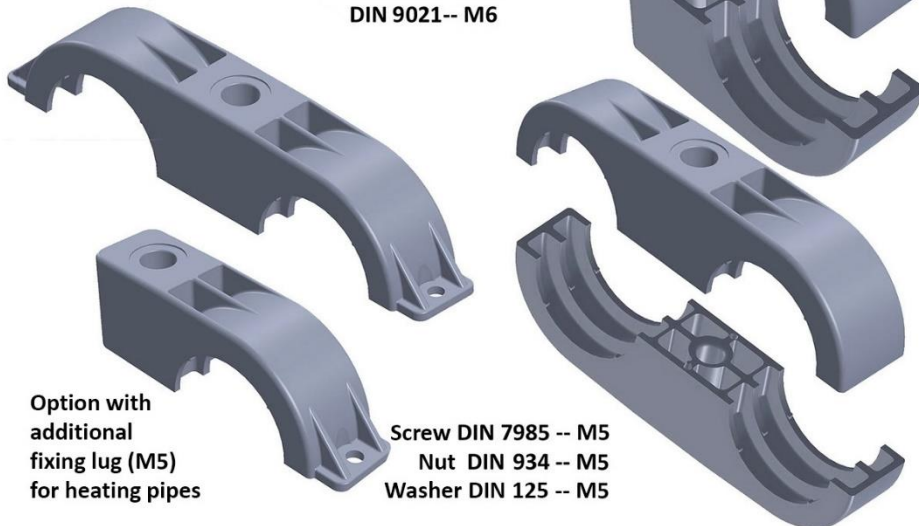


Size range No2



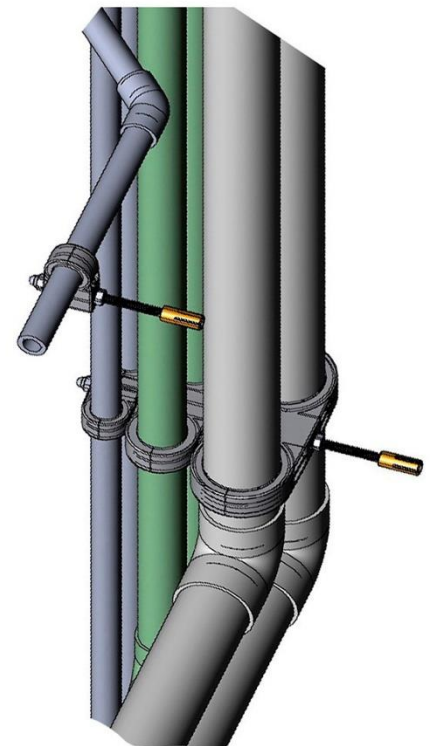
- Hexagon head wood screw DIN 571 -- 6, 8, 10
- Threaded rod & wood screw -- M8, M10
- Threaded rod DIN 975 -- M6, M8, M10

- Nuts DIN 934 -- M6, M8, M10
- Washers DIN 125 -- M8
- DIN 433 -- M10
- DIN 9021-- M6

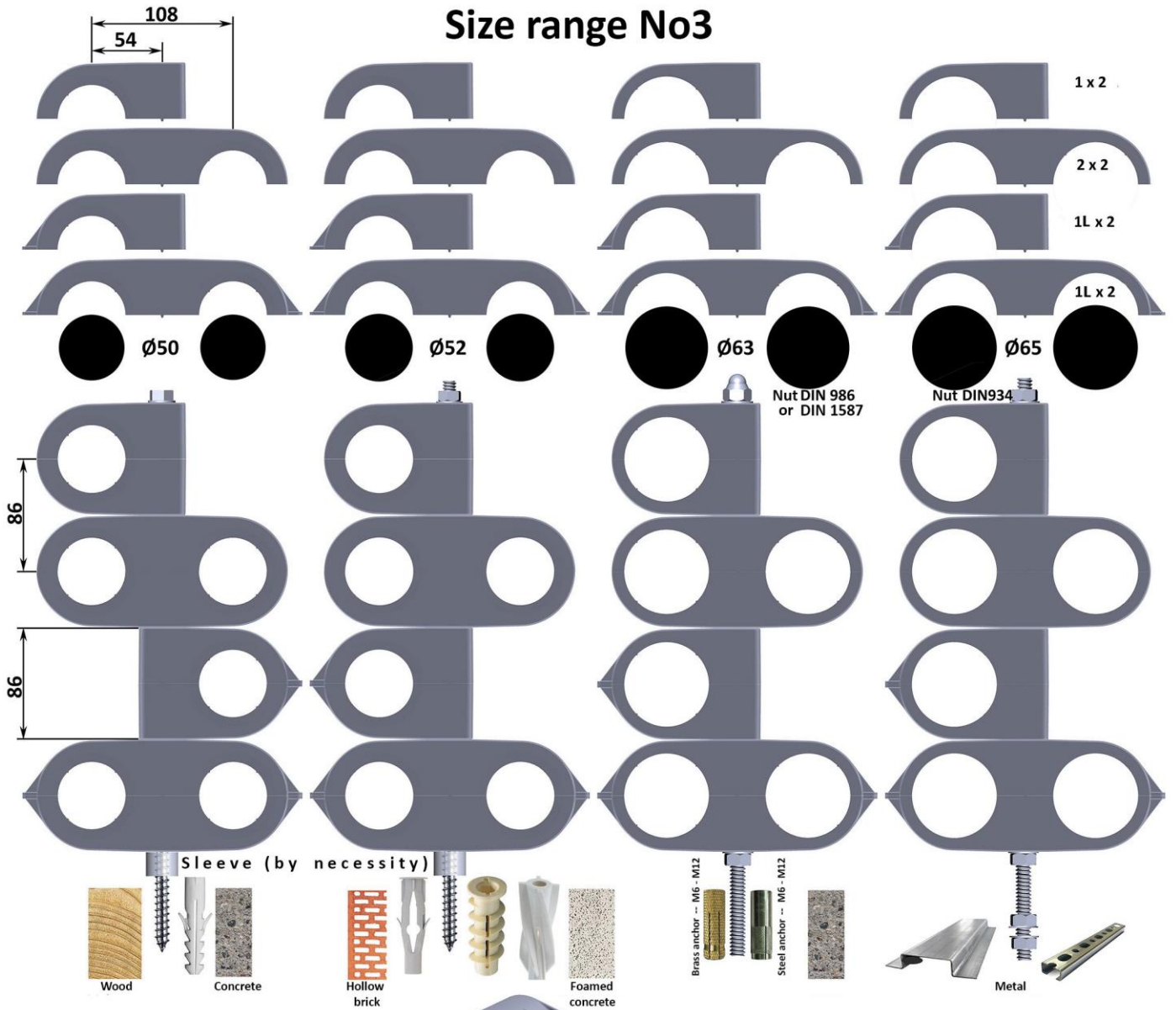


Option with additional fixing lug (M5) for heating pipes

- Screw DIN 7985 -- M5
- Nut DIN 934 -- M5
- Washer DIN 125 -- M5



Size range No3

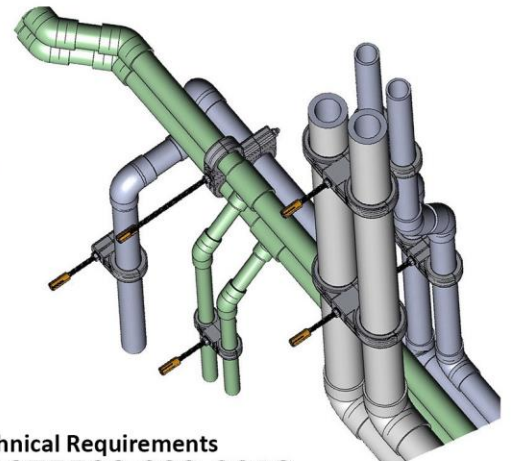


- Hexagon head wood screw DIN 571 -- 6, 8, 10, 12
- Threaded rod & wood screw -- M8, M10
- Threaded rod DIN 975 -- M6, M8, M10

- Nuts DIN 934 -- M6, M8, M10, M12
- Washers DIN 125 -- M8, M10, M12
- DIN 433 -- M10
- DIN 9021 -- M6

Option with additional fixing lug (M6) for heating pipes

- Screw DIN 7985 -- M6
- Nut DIN 934 -- M6
- Washer DIN 125 -- M6



Technical Requirements
BY 101375508.003-2018

Plastic Pipe Clip Clamp Fastener PTL Beaver



Plastic clamps PTL Beaver are designed for fastening plastic, metal-plastic, metal pipes and hoses to building structures and any surfaces made of metal, wood, concrete, foam concrete, bricks, etc.

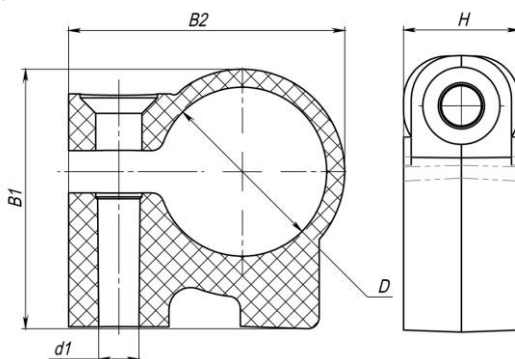
[PTL clamps](#) are designed and manufactured by Plastic Technologies from primary materials, taking into account a number of rules and regulations in force in the construction industry. Products have a new design, resistant to mechanical loads, hammers, designed for operation over a wide range of temperatures, taking into account the operating conditions of pipelines for hot water and heating purposes. Ergonomics requirements are laid in the design: the wide base covers the uneven edges of the wall hole for the dowel, the rear heel of the support is made with a slope to increase the support base.

PTL clamps can be used to fixing pipes of nominal diameters and it is possible to fasten pipes with an upper foil layer (so-called "stable pipes"), as well as other pipes and hoses with an increased outer diameter of up to 2 mm more than nominal.

The products are supplied in all basic colors of the pipelines: white, light gray, gray, green, orange, beige, black, etc. Upon request, the products can be produced in any other colors.

Products can be supplied as a complete set with various fasteners, or separately. The consumer has the opportunity to independently determine the way of fixing pipelines to the surfaces, because there is no universal method for reliable fastening of pipelines to all surfaces.

Specification

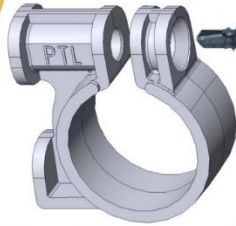


<i>Clamping Diameter, mm</i>	<i>D</i>	<i>d1</i>	<i>B1</i>	<i>B2</i>	<i>H</i>
16 (18)	17,9	6,1	27,2	30	13,5
20 (22)	21,9	6,1	33,5	36	15
25 (27)	26,9	6,1	39	43	16
32 (34)	33,9	6,1	46,5	51,5	17
40 (42)	41,9	8,1	55	58	17,5
50 (52)	51,9	8,1	63,5	68	18,5
63 (65)	64,9	8,1	80	83	19,5

RECOMMENDED FASTENING PRODUCTS



Metal



Tapping screw for metal
Ø4,5; L > 40 mm (Ø20)
Ø5; L > 45 mm (Ø25)
Ø5; L > 50 mm (Ø32)

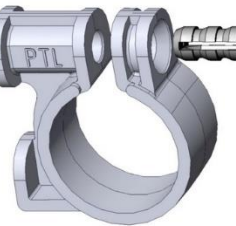
Wood



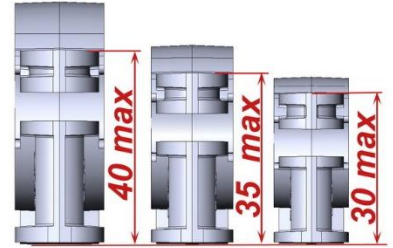
Screw for wood
Ø4,5; L > 55 mm (Ø20)
Ø5; L > 60 mm (Ø25)
Ø5; L > 65 mm (Ø32)



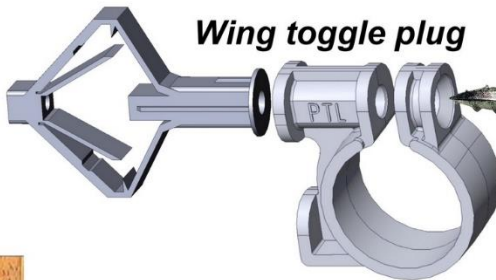
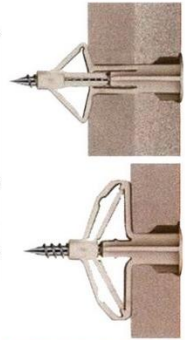
Concrete



Nail dowel
Ø6 x 60 mm (Ø20)
Ø6 x 70 mm (Ø25)
Ø6 x 80 mm (Ø32)



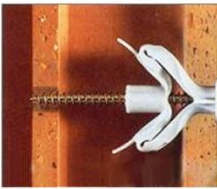
Drywall (plasterboard)



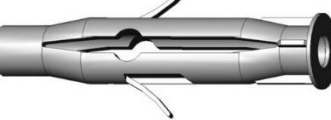
Wing toggle plug

Screw Ø4; L > 80 mm (Ø20)
Ø4; L > 85 mm (Ø25)
Ø4; L > 90 mm (Ø32)

Hollow brick



Spread plug 8 x 40 mm

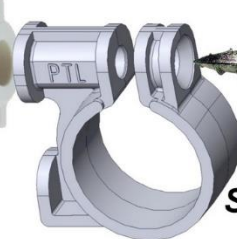


Screw Ø4,5; L > 70 mm (Ø20)
Ø5; L > 75 mm (Ø25)
Ø5; L > 80 mm (Ø32)

Concrete



Screw plug 8 x 50 mm

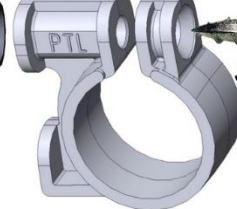


Screw Ø5; L > 80 mm (Ø20)
Ø5; L > 85 mm (Ø25)
Ø5; L > 90 mm (Ø32)

Foam concrete



Plug 8 x 40 mm



Screw Ø4,5; L > 45 mm (Ø20)
Ø4,5; L > 50 mm (Ø25)
Ø4,5; L > 55 mm (Ø32)

Dence concrete



Screw Ø4,5; L > 70 mm (Ø20)
Ø5; L > 75 mm (Ø25)
Ø5; L > 80 mm (Ø32)